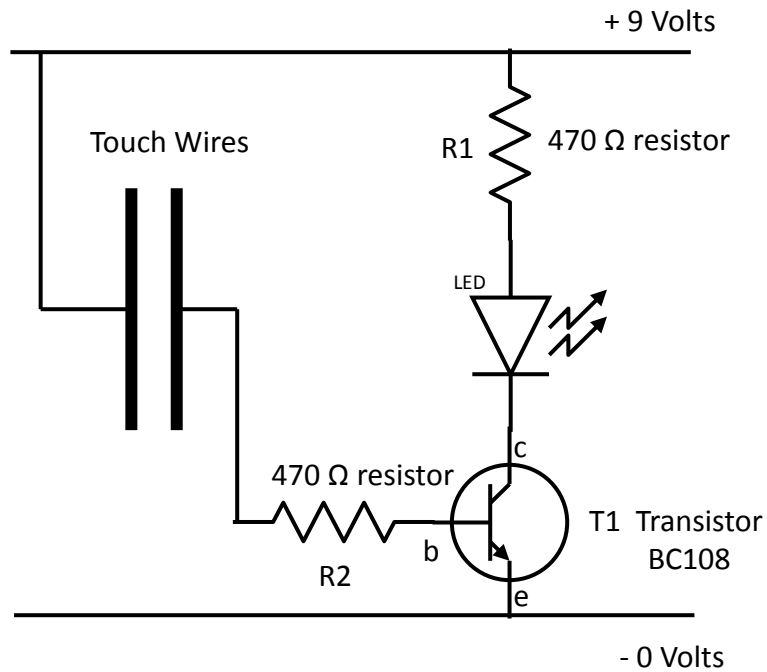


Project: Touch Sensitive Switch

Touching the wires on the plugboard will switch on the LED via the Transistor and resistor



R1 & R2  470 Ω resistor

